

# Datasheet ES-1xxC

## Ultrasonic Volume Flow Meter / Controller for Liquids

### > Introduction

The innovative ES-FLOW™ Ultrasonic Liquid Flow Meter/Controller is designed for measuring low volume flow ranges up to 1500 ml/min (90 l/h).

1. **A versatile flow meter for all liquids:** ES-FLOW technology is fluid independent, therefore recalibration is not needed when the liquid changes. Even non-conductive liquids as demi water or oil can be measured.
2. **Compact design with minimum internal volume:** due to the straight sensor tube design, particles have reduced chance of clogging the instrument.
3. **Advanced signal processing:** the on-board PID controller is the perfect choice for driving any control valve or pump. This enables a complete, compact control loop with fast response time. ES-FLOW can also operate as a stand-alone device for fast and accurate batch dosing.

### > Features & Benefits

- Direct volume flow measurement, independent of liquid properties
- Lowest flow ranges on the market based on ultrasonic measurement principle; flow rates from 0,4 up to 1500 ml/min
- Integrated counter/totalizer and batch dosing functionality
- Additional measurement of temperature and speed of sound
- Bi-directional measurement
- Integrated PID controller
- Wetted parts of stainless steel 316L and PEEK
- Very small internal volume
- Easy to install, insensitive for external vibrations
- Fast response/cycle time, excellent repeatability and long-term stability, high accuracy
- Saves expensive fluids at repetitive dosing and filling processes and increases process quality
- Reduced downtime: no recalibration required after fluid change



ES-112C or ES-113C Ultrasonic Liquid Flow Meter

### > Applications

Typical applications for the ES-FLOW™ series can be found in:

- **Food, Beverage and Pharmaceutical market:** measurement/control of natural additives, solvents, carbonated liquids, H<sub>2</sub>O<sub>2</sub> sterilization, demineralized water and liquids containing particles.
- **Chemical market:** measurement/control of catalysts, reagents, hydrocarbons, fuel, oil and consumption measurement and dosing of colorants, lubricants, non-conductive fluids or unknown mixtures.



ES-113C/C21 Liquid Flow Controller

## > Technical specifications

### Measurement / control system

Flow rates	: 0...200 ml/min (ES-1x2C), 0...1500 ml/min (ES-1x3C)
Volume flow accuracy	: $\leq \pm 0,8\%$
Zero stability (ZS)	: $< \pm 0,06$ ml/min (ES-1x2C), $< \pm 0,4$ ml/min (ES-1x3C)
Repeatability	: $\leq 0,1\%$ Rd $\pm 0,02$ ml/min (ES-1x2C), $\leq 0,1\%$ Rd $\pm 0,05$ ml/min (ES-1x3C)
Turndown ratio	: digital mode: 1:500 (ES-1x2C), 1:750 (ES-1x3C) (full scale value scalable by the user); analog: 1:50 (2...100%), also applicable for controller
Fluids	: speed of sound between 1000 and 2000 m/s; fluid independent measurement; also suitable for non-conductive fluids
Response time (sensor)	: $\leq 50$ msec (98%)
Refresh (cycle) time	: $\leq 10$ msec
Fluid temperature	: -10...60°C
Ambient temperature	: 0...60°C
Fluid temperature accuracy	: $\pm 1$ °C
Mounting	: any position, attitude sensitivity negligible

### Mechanical parts

Sensor	: straight 1/32" tube (0,6 mm, ES-1x2C), straight 1/16" tube (1,3 mm, ES-1x3C)
Material, wetted parts	: stainless steel 316L (1.4404) and PEEK
Material, housing	: aluminium
Pressure rating (PN)	: 10 or 100 bar(g); see Basic model key
Process connections	: 3 mm, 6 mm, 1/8", 1/4" OD compression type; or 1/4", 1/2" Triclamp flanges DIN32676-C (welded) other on request
Seals	: metal
Plunger (control valve)	: Kalrez®; other on request
Ingress protection	: IP66 and IP67

### Electrical properties

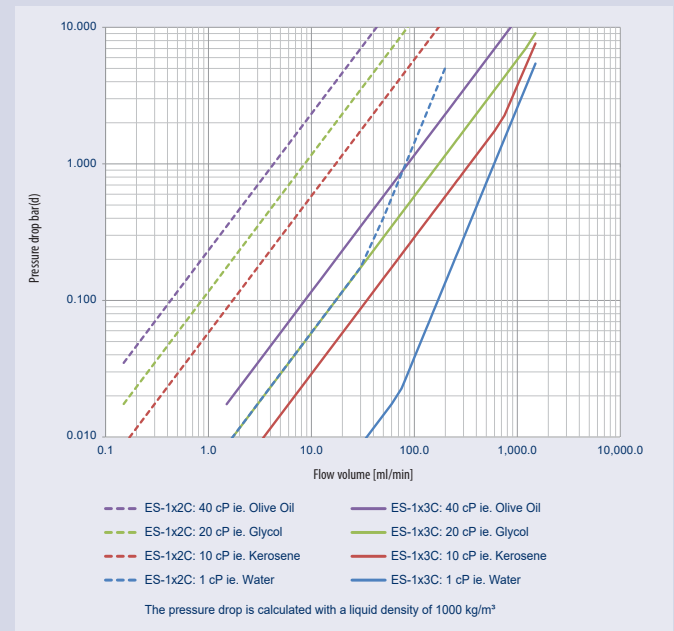
Power supply	: +15...24 Vdc $\pm 10\%$
Power consumption	: max. 2,8 W
Analog output (0...100%)	: 0...5 (10) Vdc; 0 (4)...20 mA (sourcing)
Analog setpoint (0...100%)	: 0...5 (10) Vdc, impedance $> 100$ k $\Omega$ ; 0 (4)...20 mA, impedance $\sim 250$ $\Omega$
Analog control signal output	: 0...10 Vdc or 4...20 mA (I/O option)
Pulse output	: available as programmable I/O option
Digital communication	: Standard : RS232; Optional : PROFIBUS DP, DeviceNet™, EtherCAT®, Modbus RTU/ASCII, CANopen®, FLOW-BUS, PROFINET, Modbus/TCP, EtherNet/IP, POWERLINK

### Electrical connections

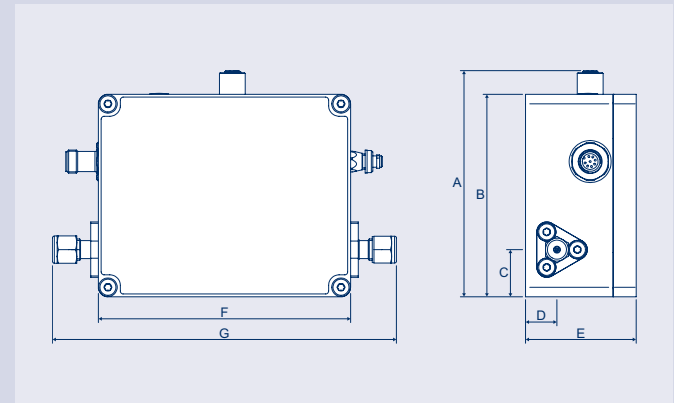
Analog/RS232	: M12 8-pin connector male A-coded (left side)
Actuator output	: M8 4-pin connector female (right side)
PROFIBUS DP	: M12 5-pin connector female B-coded (upper side)
DeviceNet™, CANopen®	: M12 5-pin connector male A-coded (upper side)
Modbus RTU/ASCII, FLOW-BUS	: M12 5-pin connector male A-coded (upper side)
PROFINET, EtherCAT®, Modbus TCP, EtherNet/IP, POWERLINK	: 2 x 4-pin M12 connector female (in/out) D-coded (upper side)

Although all specifications in this leaflet are believed to be accurate, the right is reserved to make changes without notice or obligation.

## > Typical pressure drop for ES-1x2C and ES-1x3C

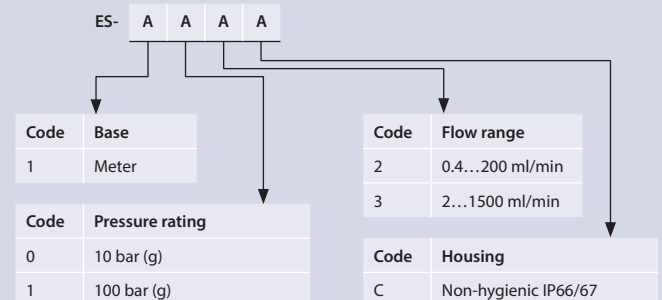


## > Dimensions Liquid Flow Meter



Model	Dimensions in mm						
	A	B	C	D	E	F	G
ES-1xxC	118	106	24.7	16.5	58	132	1/8" OD compression type 170 mm 1/4" or 6 mm OD compression type 180 mm 3 mm OD compression type 218 mm 1/4" or 1/2" Triclamp flanges 161 mm G 1/8" cavity 156 mm

### Basic model key



**Bronkhorst®**

Bronkhorst High-Tech B.V., Nijverheidsstraat 1a, NL-7261AK Ruurlo, The Netherlands  
T +31(0)573 45 88 00 I www.bronkhorst.com E info@bronkhorst.com



EDS-ES-1xxC0823.E  
L23019/4