

## GENERAL CHARACTERISTICS

This flow switch is suitable to control the flow in **pipes from DN25 to DN200**. The simple installation and durability make this instrument suitable for industrial use, and its low cost extends its use to the fields of air conditioning and heating. The paddle has a displacement proportional to the flow that invests itself, the displacement is transmitted mechanically to a microswitch.

The sensitivity is adjustable by acting on the adjustment screw (●). The switch is equipped with 3 paddles for pipes from DN25 to DN80, a fourth paddle is available for diameters larger than DN 100.

- Low pressure loss.
- External calibration.
- Hermetic separation between the mechanical and electrical parts.
- Electric head removable and replaceable.
- SPDT microswitch 250V - 5A



## TECHNICAL DATA

Process connection	1" conical thread UNI 7/1 – DIN 2999
Accuracy	± 15% F.S.
Medium temperature	Max. 110°C
Working pressure	Max. 25 bar
Average pressure loss	0,15 bar at max. flow rate
Weight	350 g

## SETTING RANGES

DN	Q max m <sup>3</sup> /h	D1 mm.	Setting ranges m <sup>3</sup> /h H <sub>2</sub> O	Paddle N.
25	3,6	30	0,9 – 1,0	1
32	6	39	2,3 – 2,7	1
40	9	41	2,8 – 3,4	1
50	15	51	6,5 – 7,5	1
			1,9 – 2,4	1+2
65	24	72	11,4 – 13,3	1
			4,8 – 5,7	1+2
			16,5 – 18,9	1
80	36	81	7,6 – 8,9	1+2
			2,7 – 3,5	1+2+3
			26,3 – 30,3	1
100	60	101	13,3 – 15,3	1+2
			6,7 – 8,4	1+2+3
			5,4 – 6,7	1+2+3+4
150	120	151	31,0 – 40,0	1+2+3
			8,6 – 15,0	1+2+3+4
200	240	206	55,0 – 71,0	1+2+3
			16,0 – 27,0	1+2+3+4

Setting ranges for horizontal mounting and decreasing flow.  
Reference passage diameter D1

## ELECTRICAL DATA

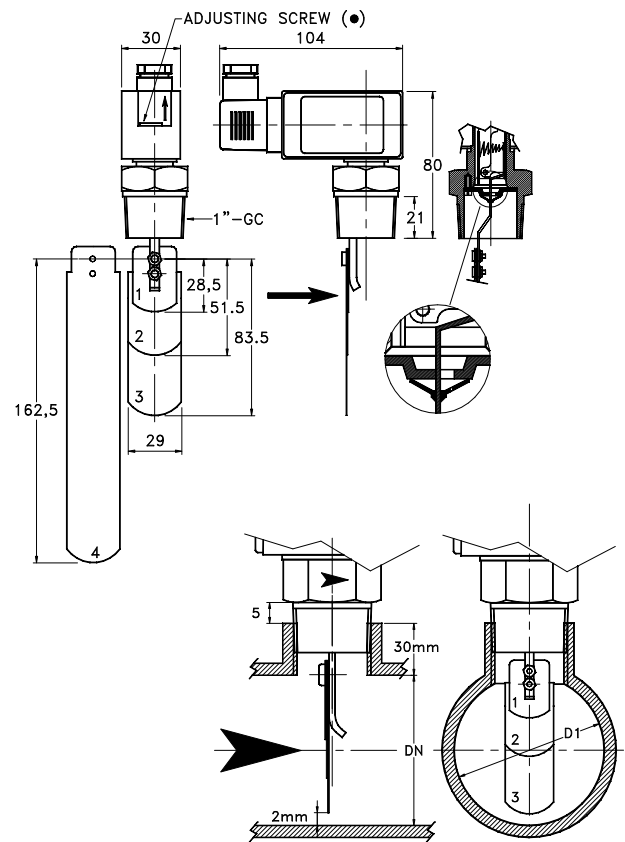
Contact	SPDT	Microswitch
Contact ratings	250V - 5A	
Electrical connection	Plug	DIN 43650A
Degree of protection	IP 65	

## NOMENCLATURE AND MATERIALS

	CM2K – 025HM	CM2K – 025HK
Body	Nickel plated brass	S.S. 1.4571
Paddle	S.S. 1.4301	S.S. 1.4301
	S.S. 1.4571	S.S. 1.4571
Paddle holder	S.S. 1.4305	S.S. 1.4305
Protection bellow	NBR	NBR
Spring	S.S. 1.4310	S.S. 1.4310
Magnet	Oxid 300	Oxid 300

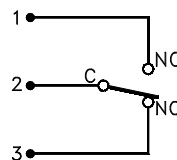
We reserve the right to change the data without notice

## DIMENSIONS



Check that the paddle does not touch the bottom of the pipe.  
If necessary cut it and adjust at the length as indicated.

## WIRING AND SETTINGS



### Adjusting the switch point (●)

Lift the safety cover on the electric head and turn the adjustment screw clockwise to increase sensitivity.

- Paddle 1 DN25
- Paddle 2 DN50
- Paddle 3 DN80
- Paddle 4 ≥ DN100