

OPERATING MANUAL

PYRAsense

LPS03 series

Pyranometers



EN
V2.1



Contents

1	Introduction	3
2	Technical specifications.....	4
3	Measuring principle	6
4	Installation.....	7
4.1	Optional mounting supports.....	8
4.2	Electrical connections	9
5	Configuration (LPS03Mxx).....	12
6	ASCII proprietary protocol (LPS03Mxx)	13
7	Modbus-RTU protocol (LPS03Mxx)	17
8	Measurement with analog output	19
9	Use of the diagnostic sensors (LPS03Mxx)	21
10	Maintenance	22
11	Safety instructions	23
12	Accessories ordering codes	24

1 Introduction

PYRASense series pyranometers measure the **global irradiance** on a flat surface (W/m^2), sum of direct solar irradiance and diffuse irradiance.

The PYRASense LPS03 series falls within the **Spectrally Flat Class C** pyranometers according to the ISO 9060:2018 standard and meets the requirements of the WMO "Guide to Instruments and Methods of Observation".

The internal temperature, relative humidity and pressure **diagnostic sensors** integrated in the LPS03Mxx models allow keeping the pyranometer operating conditions under control all the time and foresee any maintenance intervention in advance, thus ensuring always reliable measurements.

The integrated bubble level and the adjustable feet facilitate horizontal positioning during installation. As option, the LPS03Mxx models can be equipped with a **tilt sensor** (option T in the ordering code) which, in addition to facilitating the installation of the pyranometer, allows continuous monitoring of the correct installation.

The various models are distinguished by the type of output available and by the presence or absence of the "tilt" sensor:

Model	Output		Tilt
	Digital RS485 Modbus-RTU	Analog	
LPS03M00	√	--	--
LPS03M0T			√
LPS03MA0	√	Configurable 4...20 mA (default), 0...20 mA, 0...1 V, 0...5 V or 0...10 V	--
LPS03MAT			√
LPS030C0	--	2-wire (current loop) 4...20 mA	--
LPS030P0	--	mV	--

The irradiance range for the analog output is user configurable in the LPS03Mxx models.

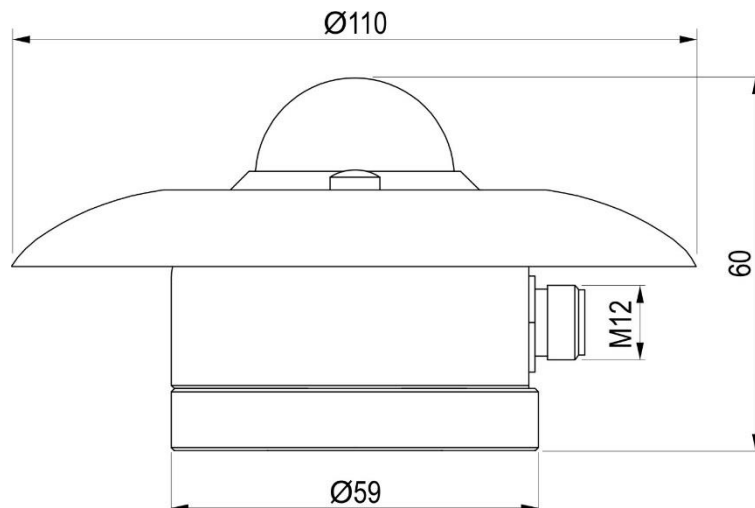
The pyranometers are factory calibrated in accordance with the ISO 9847:2023 (Type A1) standard: "Calibration of pyranometers by comparison to a reference pyranometer". The calibration is performed by comparison with the reference sample calibrated annually at WRC (World Radiation Center).

The **DATAsense** PC application software, downloadable from the website and usable with the LPS03Mxx models, allows configuring the sensor (e.g., Modbus parameters, measuring range for the analog output, etc.), monitor the measurements in real time, even graphically for the irradiance, and save the values detected during the connection in a file.

2 Technical specifications

Sensor		Thermopile
Typical sensitivity		5...15 $\mu\text{V}/\text{Wm}^{-2}$
Measuring range		-200...4000 W/m^2 The irradiance range for the analog output is 0...2000 W/m^2 by default, and is configurable in LPS03Mxx
Resolution		0.1 W/m^2
Viewing angle		2π sr
Spectral range (50%)		300...2800 nm
Output	LPS03M0x LPS03MAX LPS030C0 LPS030P0	Isolated RS485 Modbus-RTU Isolated RS485 Modbus-RTU + analog configurable 4...20 mA (default), 0...20 mA, 0...1 V, 0...5 V or 0...10 V 2-wire (current loop) 4...20 mA passive in mV
Power supply		7...30 Vdc for RS485 output 10...30 Vdc for analog output (except 0...10 V) 15...30 Vdc for 0...10 V output
Consumption	LPS03M0x LPS03MAX	15 mA @ 24 Vdc / 21 mA @ 12 Vdc 37 mA @ 24 Vdc & Iout=22 mA / 43 mA @ 12 Vdc & Iout=22 mA
Connection		5-pole M12 (except LPS03MAX) / 8-pole M12 (only LPS03MAX)
Weight		230 g approx.
Operating conditions		-40...+80 °C / 0...100 %RH / Max. altitude 6000 m
Bubble level accuracy		< 0.2°
Protection degree		IP 67
Materials		Housing: anodized aluminium Screen: ASA Dome: optical glass
MTBF		> 10 years

Dimensions (mm)



Technical Specifications According to ISO 9060:2018

Classification	Spectrally Flat Class C
Response time (95%)	< 18 s
Zero offset	
a) response to a 200 W/m ² thermal radiation	< ±15 W/m ²
b) response to a 5 K/h change in ambient temperature	< ±4 W/m ²
c) total zero offset including the effects a), b) and other sources	< ±20 W/m ²
Long-term instability (1 year)	< ±1 %
Non-linearity	< ±1 %
Directional response (up to 80° with 1000 W/m ² beam)	< ±20 W/m ²
Spectral error	< ±1 %
Temperature response (-10...+40°C)	< ±2 %
Tilt response	< ±1.5 %

Diagnostic sensors (only LPS03Mxx)

Internal Temperature	
Measuring range	-40...+80 °C
Resolution	0.1 °C
Accuracy	±0.5 °C (0...60 °C)
Internal Relative Humidity	
Measuring range	0...100%
Resolution	0.1%
Accuracy	±3% @ T=25 °C & RH=20...80%
Internal pressure	
Measuring range	300...1100 hPa
Resolution	0.1 hPa
Accuracy	±1 hPa (0...60 °C)

Tilt sensor (only LPS03MxT)

Measuring range	0...180°
Resolution	0.1°
Accuracy	< 0.5°

3 Measuring principle

PYRASense series pyranometers are based on a thermopile sensor. The thermopile sensitive surface is coated with a black matt paint, which allows the pyranometer not to be selective at different wavelengths.

Radiant energy is absorbed by the thermopile black surface, thus creating a difference of temperature between the center of the thermopile (hot junction) and the pyranometer body (cold junction). Thanks to the Seebeck effect, the difference of temperature between hot and cold junction is converted into a difference of potential.

The pyranometer spectral range is determined by the transmission of the glass dome, with 32 mm outer diameter and 4 mm thickness, which also grants the thermopile a proper thermal insulation from the wind and reduce the sensitivity to thermal irradiance. Furthermore, the dome protects the thermopile from the dust which, depositing on the blackened part, could change its spectral sensitivity.

To prevent condensation from forming on the internal side of the dome under certain climatic conditions, silica-gel is inserted inside the pyranometer to absorb moisture.

4 Installation

- The pyranometer must be mounted in an easy-to-reach location in order to clean the dome regularly and carry out maintenance. At the same time, make sure that no buildings, constructions, trees or obstructions exceed the horizontal plane where the pyranometer lies. If this is not possible, select a site where obstructions in the path of the sun from sunrise to sunset do not exceed 5 degrees of elevation. **N.B.: The presence of obstructions on the horizon line affects significantly the measurement of direct irradiance.**
- The pyranometer must be located far from any kind of obstruction, which might reflect sunlight (or sun shadow) onto the pyranometer itself.
- The mast height does not exceed the pyranometer plane to avoid measurement errors caused by any reflection or shadow of the mast itself.
- In compliance with ISO TR9901 standard and WMO recommendations, if the pyranometer is used without the solar radiation protection screen, it must be positioned so that the connector points to the North Pole, if the instrument is used in the Northern Hemisphere, and to the South Pole, if used in the Southern Hemisphere. In any case, it is better to follow this recommendation even when the screen is used.
- For fixing, use the M5 holes in the lower part of the pyranometer. For an accurate horizontal positioning, use the bubble level integrated in the pyranometer.

Note: for horizontal positioning it is preferable to use the bubble level also in models equipped with a tilt sensor, as it is more accurate; use the tilt sensor for positioning monitoring after installation. Use the tilt sensor for installation only if the pyranometer must be positioned tilted with respect to the horizontal plane.

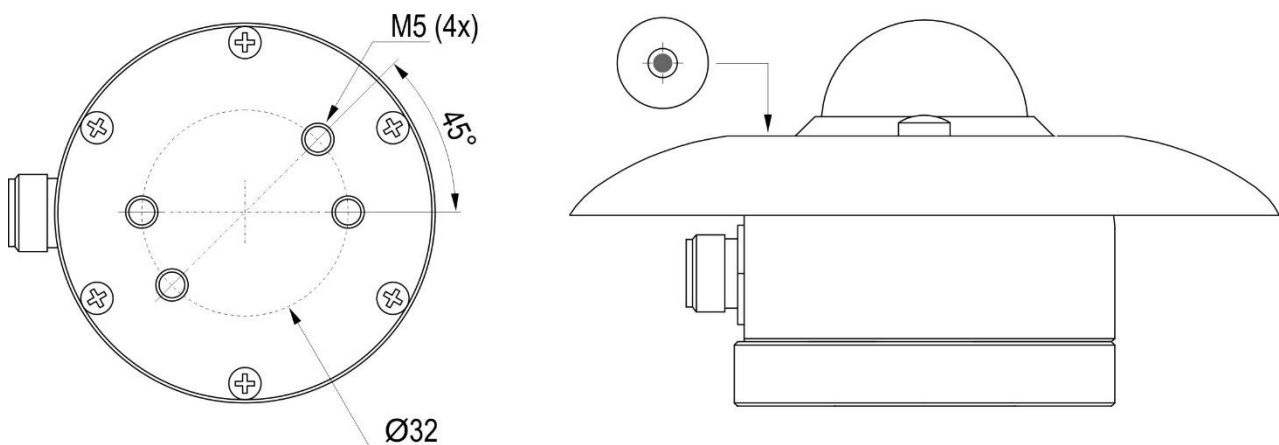


Fig. 4.1: position of fixing holes and bubble level

4.1 Optional mounting supports

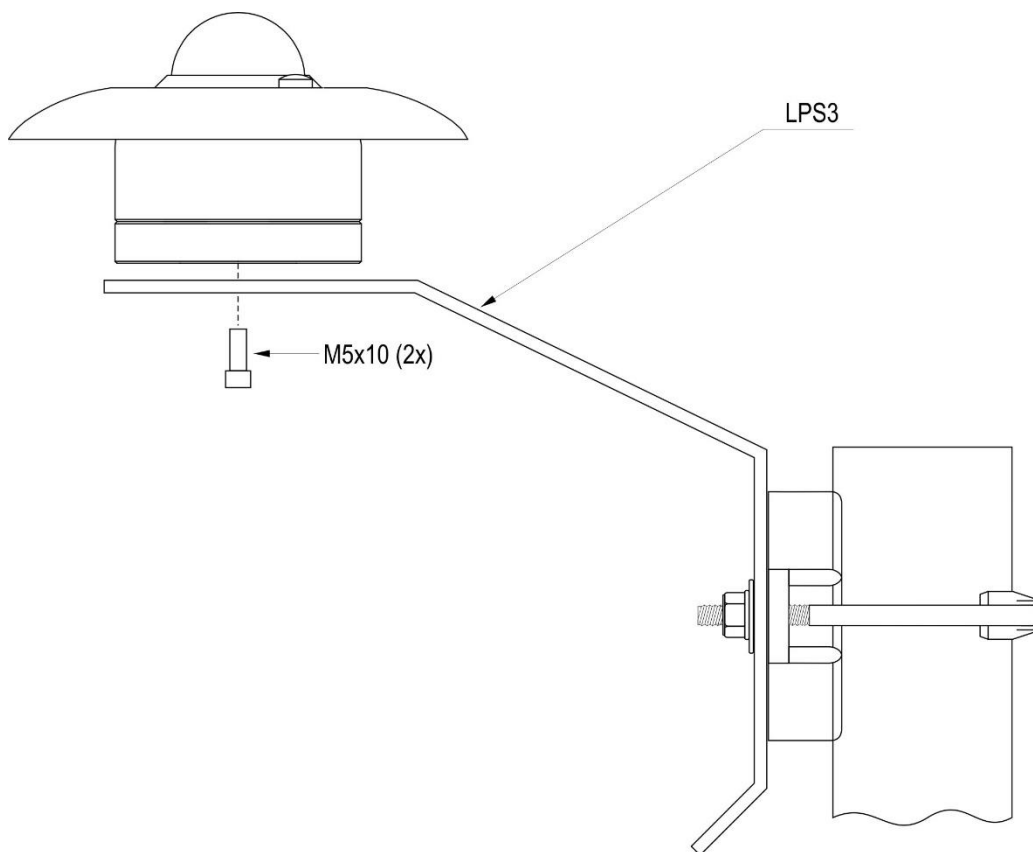


Fig. 4.2: LPS3 bracket for mast

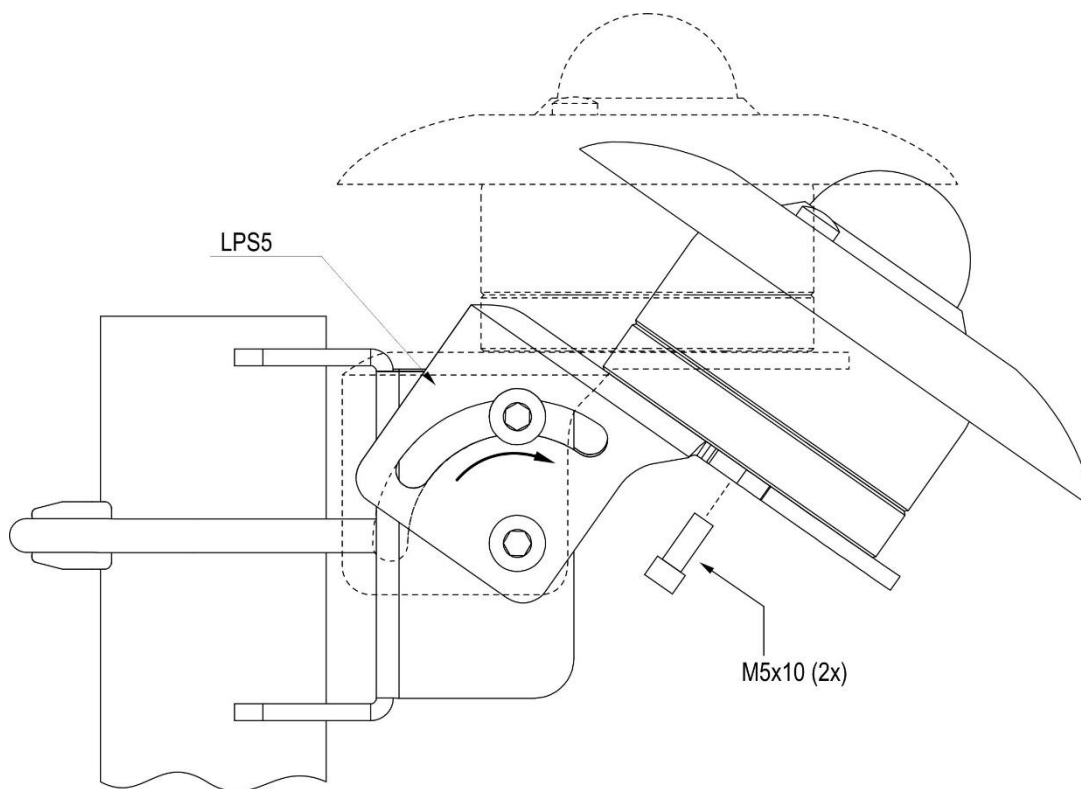


Fig. 4.3: LPS5 adjustable bracket for mast

4.2 Electrical connections

Warning!

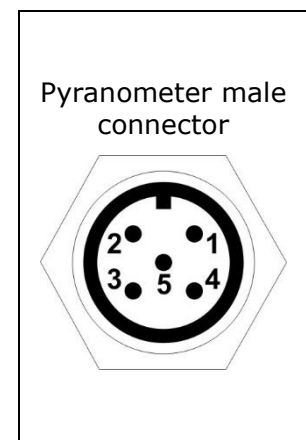
The metallic housing of the pyranometer should preferably be grounded locally. The CPM12... cable shield is connected to the connector shell and then to the metallic housing of the pyranometer. Do not connect the yellow/green wire (cable shield) to ground, unless it is not possible to ground the pyranometer metallic housing locally via the support mast.

Internally there are surge protection devices connected to the housing. Grounding the housing allows the correct protection functionality of the devices.

Connector pinout:

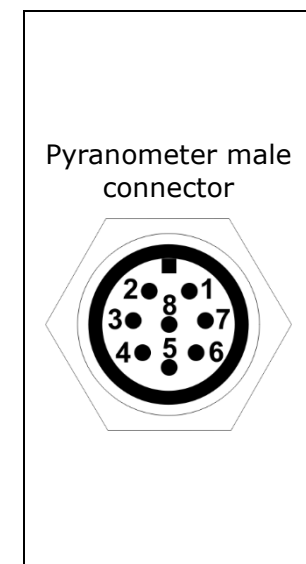
LPS03M0x / LPS030C0 / LPS030P0

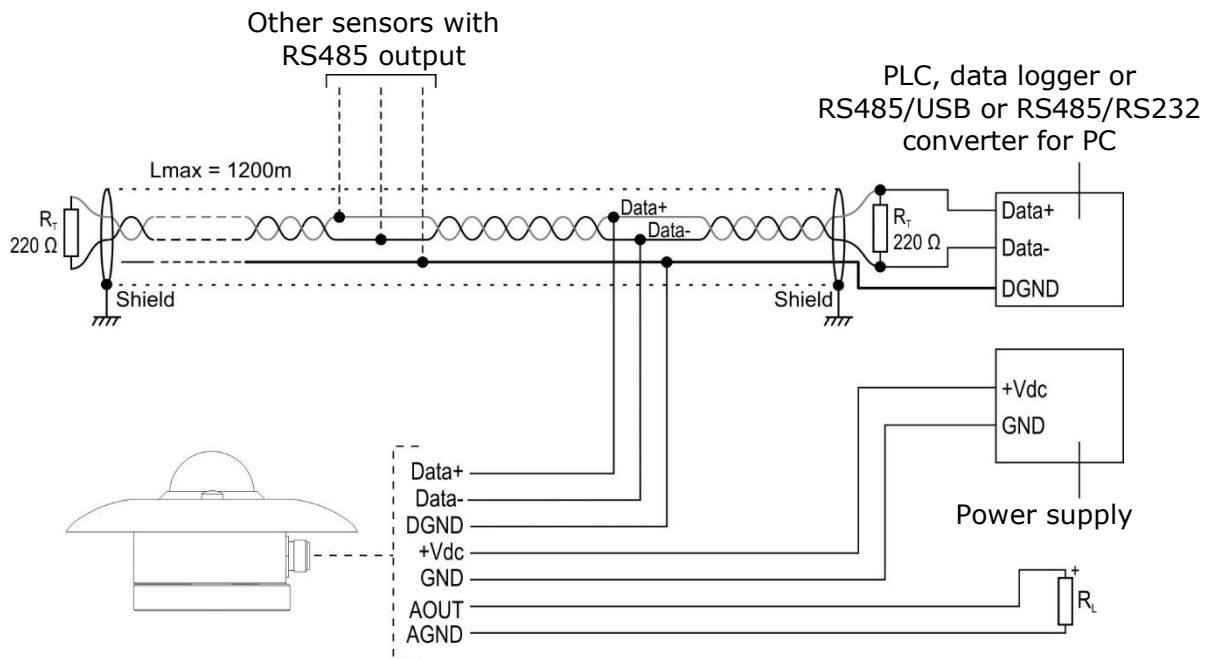
Pin	Function			CPM12-5... wire color
	LPS03M0x	LPS030C0	LPS030P0	
1	+Vdc	Iin (+)	+Vout	Brown
2	GND	Iout (-)	-Vout	White
3	DATA +	NC	NC	Blue
4	DATA -	NC	NC	Black
5	DGND	NC	NC	Grey
	Connector shell / Cable shield Pyranometer housing			Yellow/Green



LPS03MAx

Pin	Function	CPM12-8... wire color
1	GND (Power supply negative)	White
2	+Vdc (Power supply positive)	Brown
3	DGND (Digital ground)	Green
4	DATA - (RS485)	Yellow
5	DATA + (RS485)	Grey
6	AGND (Analog ground)	Pink
7	AOUT (Analog output positive)	Blue
8	NC	Red
	Connector shell / Cable shield Pyranometer housing	Yellow/Green



LPS03Mxx connections:**Fig. 4.4: LPS03Mxx connection diagram****RS485 output:**

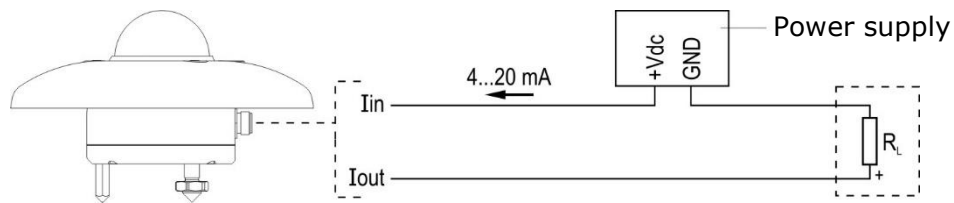
The RS485 output is isolated. Before connecting the pyranometer to the RS485 network, set the address and the communication parameters, if different from the factory preset (see "Configuration" chapter).

Analog output:

In the LPS03MAX models the type of analog output is configurable (default 4...20 mA, see "Configuration" chapter). The pyranometer power supply and the load resistance vary according to the type of analog output configured:

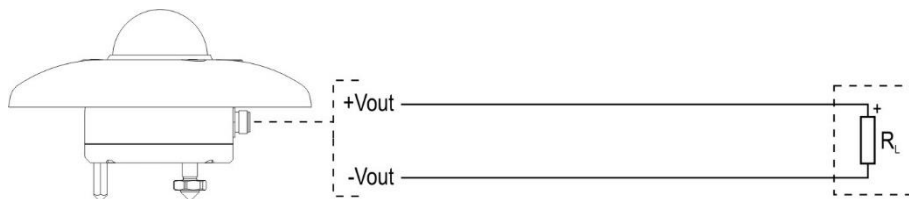
Analog output	Power supply required	Load resistance
0...20 mA	10...30 Vdc	$\leq 500 \Omega$
4...20 mA	10...30 Vdc	$\leq 500 \Omega$
0...1 V	10...30 Vdc	$\geq 100 k\Omega$
0...5 V	10...30 Vdc	$\geq 100 k\Omega$
0...10 V	15...30 Vdc	$\geq 100 k\Omega$

In the event of an anomaly in the measurement (detected measurement outside the measuring range), the output goes to a value 10% higher than the full scale (e.g., 11 V if the output is 0...10 V or 22 mA if the output is 4...20 mA).

LPS030C0 connections:**Fig. 4.5: LPS030C0 connection diagram**

Pyranometer power supply: 10...30 Vdc. Load resistance $R_L \leq 500\ \Omega$.

In the event of an anomaly in the measurement (detected measurement outside the measuring range), the output goes to 22 mA.

LPS030P0 connections:**Fig. 4.6: LPS030P0 connection diagram**

The pyranometer does not require power supply. The typical output impedance of the sensor is $<50\ \Omega$.

The output signal typically does not exceed a few tens of mV. The recommended resolution of the reading instrument is $1\ \mu\text{V}$.

5 Configuration (LPS03Mxx)

It is possible to change the serial communication parameters (Modbus address, Baud Rate, parity/stop bit) and, for models with analog output, the type of analog output and the global irradiance measuring range corresponding to the analog output.

The configuration of the pyranometer can be done:

- With the aid of **DATAsense** PC application software (see the software online help), downloadable from the website.
- By sending serial commands from a PC, via a standard communication program (see the chapter "ASCII proprietary protocol").
- Via the "Holding Registers" in MODBUS-RTU mode (only for the serial communication parameters, see the chapter "Modbus-RTU protocol").

By default, the instrument has MODBUS address **1** and communication parameters 19200, 8E1.

Analog output (only LPS03MAx):

By default, the analog output is 4...20 mA → 0...2000 W/m².

It is possible:

- to associate the analog output to a different global irradiance range, within the full measuring range;
- change the output type (possible outputs 4...20 mA, 0...20 mA, 0...1 V, 0...5 V or 0...10 V);
- to reverse the direction of the output, so that the output decreases as the measurement increases.

Connection to PC:

To connect the pyranometer to a PC USB port, to check or change the configuration, the **CP24B-5** (LPS03M0x) or **CP24B-8** (LPS03MAx) optional cables can be used, which also allow the pyranometer to be powered via the USB port.

To use the CP24B-x cables, the related USB drivers must be installed in the PC.

Alternatively, it is possible to use a standard RS485/USB or RS485/RS232 converter, powering the pyranometer separately (the minimum supply voltage is 7 V).

6 ASCII proprietary protocol (LPS03Mxx)

To communicate with the pyranometer via the ASCII proprietary protocol:

1. Connect the pyranometer to the PC and start a standard serial communication program.
2. In the serial communication program, set the Baud Rate 57600, the parameters 8N2 and the COM port number to which the pyranometer is connected.
3. Power the pyranometer (or power cycle if already powered) and send the command @ within 5 seconds from the instrument power on (the pyranometer replies &| if the command @ is recognized).
Note: if the CP24B-x cable is used, to power cycle the pyranometer, disconnect the cable for a few seconds from the PC USB port, then reconnect it.
4. Send the command **CAL USER ON** (the pyranometer replies CAL USER ON;USER ON) to enable the configuration change. The command CAL USER ON is not required only for reading the settings.
5. Send the commands described in the tables below.

The command CAL USER ON is automatically disabled after a few minutes of inactivity. The command CAL USER ON can be disabled immediately by sending the command CAL EXIT.

Ping:

Command	Reply	Description
P0	P0;&	Ping.

Pyranometer general information:

Command	Reply	Description
G0	G0;model	Model
G1	G1;sub-model	Sub-model
G2	G2;nnnnnnnn	Serial number
G3	G3;xx.yy	Firmware revision
G4	G4;yyyy/mm/dd	Firmware revision date
G5	G5;xx.yy	Hardware revision
G6	G6;nnnnn	Operating time in days from first power on
G7	G7;nnnnn	Operating time in days from last power on
GD	GD;yyyy/mm/dd hh:mm:ss	Factory calibration date and time

User code:

The user code is an alphanumeric string of up to 8 characters that the user can set to identify the pyranometer with a mnemonic name.

Command	Reply	Description
CUCnnnnnnnn	CUC;&	Sets nnnnnnnn as user code. Default= <i>blank</i>
RUC	RUC;nnnnnnnn	Reads the user code.

RS485 Modbus-RTU communication parameters:

Command	Reply	Description
CMA _n	CMA;&	Sets the Modbus-RTU address (1...247) to n. Default=1
RMA	RMA;n	Reads the Modbus-RTU address.
CMB _n	CMB;&	Sets the Baud Rate: <ul style="list-style-type: none"> ▪ 9600 if n=0 ▪ 19200 if n=1 (<i>default</i>) ▪ 38400 if n=2 ▪ 57600 if n=3 ▪ 115200 if n=4
RMB	RMB;n	Reads Baud Rate setting.
CMP _n	CMP;&	Sets parity and stop bits (data bits = 8 fixed): <ul style="list-style-type: none"> ▪ 8N1 if n=0 ▪ 8E1 if n=2 (<i>default</i>) ▪ 8O1 if n=4 ▪ 8N2 se n=1 ▪ 8E2 se n=3 ▪ 8O2 se n=5
RMP	RMP;n	Reads the setting of parity and stop bits.
CMW _n	CMW;&	Sets waiting time after transmission with Modbus-RTU protocol: <ul style="list-style-type: none"> ▪ Immediate reception if n=0 (violates protocol) ▪ Waiting 3.5 characters if n=1 (respects protocol) <i>Default</i> : Waiting 3.5 characters (n=1)
RMW	RMW;n	Reads the setting of waiting time after transmission with Modbus-RTU protocol.

Analog output (only LPS03MAX):

Command	Reply	Description
CAS _n	CAS;&	Sets the analog output type: <ul style="list-style-type: none"> ▪ 0...20 mA if n=0 ▪ 4...20 mA if n=1 (<i>default</i>) ▪ 0...1 V if n=2 ▪ 0...5 V if n=3 ▪ 0...10 V if n=4
RAS	RAS;n	Reads the type of analog output set.
CAIn...n	CAI;&	Sets n...n as irradiance minimum value in W/m ² for the analog output. Min=-200, default=0
RAI	RAI;n...n	Reads the irradiance minimum value in W/m ² for the analog output.
CAFn...n	CAF;&	Sets n...n as irradiance maximum value in W/m ² for the analog output. Max=4000, default=2000
RAF	RAF;n...n	Reads the irradiance maximum value in W/m ² for the analog output.
CAin	CAI;&	Sets the direct or reversed correspondence between analog output and irradiance: <ul style="list-style-type: none"> ▪ If n=0: Min. output ⇒ Min. irradiance Max. output ⇒ Max. irradiance ▪ If n=1: Min. output ⇒ Max. irradiance Max. output ⇒ Min. irradiance <i>Default</i> : Direct correspondence (n=0)
RAi	RAI;n	Reads the type of correspondence (direct or reversed) between analog output and irradiance.

Units of measurement:

Changing the temperature units of measurement affects the Modbus protocol only. The temperature measurement provided by the ASCII proprietary protocol (commands S0/S1) is always in °C.

Command	Reply	Description
TTn	WUT;&	Sets the temperature unit of measurement: <ul style="list-style-type: none"> ▪ °C if n=0 (<i>default</i>) ▪ °F if n=1 ▪ K if n=2
RUT	RUT;n	Reads the temperature unit of measurement.

Measurements reading:

Command	Reply	Description
S0	S0;meas	Prints the measurements in the following sequence: <ul style="list-style-type: none"> ▪ Temperature compensated irradiance in W/m² (<i>it takes into account the change in sensor sensitivity as temperature changes</i>) ▪ Nominal irradiance in W/m² (<i>calculated considering the sensor nominal sensitivity at the calibration temperature: ~23 °C</i>) ▪ Signal in mV generated by the thermopile ▪ Internal temperature in °C ▪ Internal relative humidity in % ▪ Internal pressure in hPa ▪ Tilt angle (<i>only LPS03MxT</i>) ▪ Power supply voltage <p>If the automatic sending of the measurements is enabled (command S1), sending S0 disables the automatic sending.</p>
S1	S1;meas	Enables the automatic sending of the measurements, once per second.

Diagnostics alarm thresholds:

Command	Reply	Description
WAL1n...n	WAL1;&	Sets to n...n the operating time alarm threshold from first power on (0...65535 days, default=730 days → 2 years).
AL1	AL1;n...n	Reads the operating time alarm threshold from first power on.
WAL2n...n	WAL2;&	Sets to n...n the operating time alarm threshold from last power on (0...65535 days, default=730 days → 2 years).
AL2	AL2;n...n	Reads the operating time alarm threshold from last power on.
WAL3n...n	WAL3;&	Sets to n...n, in the set unit of measurement, the internal temperature alarm threshold (0...150 °C, default=80 °C).
AL3	AL3;n...n	Reads the internal temperature alarm threshold.
WAL4n...n	WAL4;&	Sets to n...n% the internal relative humidity alarm threshold (0...100%, default=25%).
AL4	AL4;n...n	Reads the internal relative humidity alarm threshold.

Command	Reply	Description
WAL5n...n	WAL5;&	Sets to n...n hPa the internal pressure alarm threshold (800...1100 hPa, default=1100 hPa).
AL5	AL5;n...n	Reads the internal pressure alarm threshold.

All alarm thresholds are integer values with resolution 1 (1 day, 1 °C/°F/K, 1 %RH, 1 hPa).

The alarm condition occurs when the parameter becomes greater than the set threshold.

7 Modbus-RTU protocol (LPS03Mxx)

By default, the pyranometer has Modbus address **1** and communication parameters 19200, 8E1. The address and the communication parameters can be changed by using the appropriate serial commands of the proprietary protocol or, alternatively, directly with Modbus commands by changing the value of the Holding Registers described later.

The Modbus-RTU protocol is active after a few seconds from the sensor power on.

The delay between the reception of a query from the master device and the start of the pyranometer reply is less than 10 ms.

Below is the list of registers.

Input Registers:

Address	Description	Format
MEASUREMENTS		
1 + 2	Temperature compensated irradiance in W/m ² (x10) <i>(it takes into account the change in sensor sensitivity as temperature changes)</i>	32-bit Integer
3 + 4	Nominal irradiance in W/m ² (x10) <i>(calculated considering the sensor nominal sensitivity at the calibration temperature: ~23 °C)</i>	32-bit Integer
6	Internal relative humidity in % (x10)	16-bit Integer
7	Internal temperature in the set unit of measurement (x10)	16-bit Integer
8	Internal pressure in hPa (x10)	16-bit Integer
9 + 10	Signal in mV generated by the thermopile (x1000)	32-bit Integer
11	Tilt angle (<i>only LPS03MxT</i>) (x10)	16-bit Integer
PYRANOMETER GENERAL INFORMATION		
16...25	Model (20 characters)	String
26...35	Sub-model (20 characters)	String
36...39	Serial number (8 characters)	String
40...43	Firmware revision (8 characters)	String
44...47	Hardware revision (8 characters)	String
CALIBRATION HISTORY		
50 + 51	Sensitivity of last calibration in $\mu\text{V}/\text{Wm}^{-2}$ (x1000)	32-bit Integer
52...55	Date of last calibration (yyyymmdd)	String
56 + 57	Sensitivity of historical calibration 1 in $\mu\text{V}/\text{Wm}^{-2}$ (x1000)	32-bit Integer
58...61	Date of historical calibration 1 (yyyymmdd)	String
62 + 63	Sensitivity of historical calibration 2 in $\mu\text{V}/\text{Wm}^{-2}$ (x1000)	32-bit Integer
64...67	Date of historical calibration 2 (yyyymmdd)	String
68 + 69	Sensitivity of historical calibration 3 in $\mu\text{V}/\text{Wm}^{-2}$ (x1000)	32-bit Integer
70...73	Date of historical calibration 3 (yyyymmdd)	String
74 + 75	Sensitivity of historical calibration 4 in $\mu\text{V}/\text{Wm}^{-2}$ (x1000)	32-bit Integer

Address	Description	Format
76...79	Date of historical calibration 4 (yyyymmdd)	String
80 + 81	Sensitivity of historical calibration 5 in $\mu\text{V}/\text{Wm}^{-2}$ (x1000)	32-bit Integer
82...85	Date of historical calibration 5 (yyyymmdd)	String
OPERATING TIME		
100	Operating time in days from first power on	16-bit Integer
101	Operating time in days from last power on	16-bit Integer

Notes on the registers format:

- 1) To read a **32-bit integer** value, the two consecutive registers indicated must be accessed.

Example: the temperature compensated irradiance, for ex. $50.1 \text{ W}/\text{m}^2$, is available in the registers with address 1 and 2.

Register address	1	2
Register content (Hex)	0000	01F5
Read value	$0x000001F5 = 501 = 50.1 \text{ W}/\text{m}^2$	

- 2) The alphanumeric **strings** are contained in a series of 16-bit registers. Each register contains 2 characters of the string: the most significant 8 bits contain the ASCII code of the first character, the least significant 8 bits contain the ASCII code of the next character. The start character of the string is in the register of the series with the lowest address.

Example: the pyranometer model, for ex. LPS03MAT, is available in the registers with address from 16 to 25.

Register address	16	17	18	19	20	21	22	23	24	25
Register content (Hex)	4C50	5330	334D	4154	0000	0000	0000	0000	0000	0000
Read value	L	P	S	0	3	M	A	T		

Discrete inputs:

Address	Description	Format
0	Operating time alarm from first power on	Bit
1	Operating time alarm from last power on	Bit
2	Internal temperature alarm	Bit
3	Internal relative humidity alarm	Bit
4	Internal pressure alarm	Bit

The value of a "Discrete input", normally at 0, becomes 1 when the alarm threshold set with the relative "Holding register" is exceeded.

Holding Registers:

Address	Description	Format
0	RS485 Modbus-RTU Baud Rate: 0=9600 1=19200 (default) 2=38400 3=57600 4=115200	16-bit Integer
1	RS485 Modbus-RTU parity and stop bits: 0=8N1 1=8N2 2=8E1 (default) 3=8E2 4=8O1 5=8O2	16-bit Integer
2	Modbus-RTU address (1...247, default=1).	16-bit Integer
5	Temperature unit of measurement: 0=°C (default) 1=°F 2=K	16-bit Integer
6	Operating time alarm threshold from first power on (0...65535 days, default=730 days → 2 years)	16-bit Integer
7	Operating time alarm threshold from last power on (0...65535 days, default=730 days → 2 years)	16-bit Integer
8	Internal temperature alarm threshold in the set unit of measurement (0...150 °C, default=80 °C)	16-bit Integer
9	Internal relative humidity alarm threshold in % (0...100 %, default=25%)	16-bit Integer
10	Internal pressure alarm threshold in hPa (800...1100 hPa, default=1100 hPa)	16-bit Integer
30002	Enabling writing in Holding Register: 9876=Enabled 8888=Disabled	16-bit Integer

All alarm thresholds are integer values with resolution 1 (1 day, 1 °C/°F/K, 1 %RH, 1 hPa).

To change the settings via the Holding Registers, it is first necessary to enable the writing by entering the value 9876 in the register with address 30002.

8 Measurement with analog output

LPS030P0:

Each pyranometer is distinguished by its own sensitivity (or calibration factor) **S** expressed in $\mu\text{V}/(\text{Wm}^{-2})$, shown in the label on the pyranometer and in the calibration report.

The irradiance **E_e** is obtained by measuring with a multimeter the difference of potential **DDP** at the ends of the sensor and applying the following formula:

$$E_e = DDP / S$$

where:

E_e is the irradiance expressed in W/m^2 ;

DDP is the difference of potential expressed in μV measured by the multimeter;

S is the sensitivity of the pyranometer expressed in $\mu\text{V}/(\text{Wm}^{-2})$.

LPS03MAx / LPS030C0:

Calculation of the global irradiance **E_e** (W/m^2) as a function of the analog output value **V_{out}** (in V) or **I_{out}** (mA).

Analog output	Global irradiance
0...20 mA	$E_e = E_{is} + [(E_{fs} - E_{is}) \cdot I_{\text{out}}/20]$
4...20 mA	$E_e = E_{is} + [(E_{fs} - E_{is}) \cdot (I_{\text{out}} - 4)/16]$
0...1 V	$E_e = E_{is} + [(E_{fs} - E_{is}) \cdot V_{\text{out}}]$
0...5 V	$E_e = E_{is} + [(E_{fs} - E_{is}) \cdot V_{\text{out}}/5]$
0...10 V	$E_e = E_{is} + [(E_{fs} - E_{is}) \cdot V_{\text{out}}/10]$

Where **E_{is}** and **E_{fs}** are respectively the global irradiance (in W/m^2) corresponding to the analog output initial and full scale.

Considering the default values **$E_{is} = 0$** and **$E_{fs} = 2000 \text{ W}/\text{m}^2$** , the previous formulas can be simplified into the following ones:

Analog output	Global irradiance
0...20 mA	$E_e = 100 \cdot I_{\text{out}}$
4...20 mA	$E_e = 125 \cdot (I_{\text{out}} - 4)$
0...1 V	$E_e = 2000 \cdot V_{\text{out}}$
0...5 V	$E_e = 400 \cdot V_{\text{out}}$
0...10 V	$E_e = 200 \cdot V_{\text{out}}$

9 Use of the diagnostic sensors (LPS03Mxx)

The internal temperature, relative humidity, pressure and tilt (only LPS03MxT) **diagnostic sensors** allow keeping the pyranometer operating conditions under control all the time and foresee any maintenance intervention in advance, thus ensuring always reliable measurements.

Internal temperature

As a rule, the internal temperature of the pyranometer is on average 5 to 10 °C higher than the external ambient temperature. Temperatures that are excessively lower or higher than indicated may be a sign of malfunctions.

Monitoring the internal temperature therefore makes it possible to determine whether the irradiance measurement can be considered reliable.

Internal relative humidity

To minimize condensation and keep measurements accurate, desiccant silica-gel is provided inside the pyranometer base to absorb moisture. The silica-gel life is at least 10 years. The long-term monitoring of the internal relative humidity of the pyranometer allows the efficiency of the silica-gel to be checked. A progressive upward trend in relative humidity indicates the progressively decreasing ability of silica-gel to absorb moisture.

The internal relative humidity depends not only on the saturation level of the silica-gel but also on the temperature of the pyranometer; therefore, short-term humidity monitoring is not particularly significant in determining the condition of the silica-gel. Relative humidity monitoring can be annual.

It is advisable to detect the relative humidity during the night, when the temperature is lower and the relative humidity is higher.

Silica-gel can be considered close to saturation when the internal relative humidity is persistently above 50% at temperatures below 20 °C.

Internal pressure

Monitoring the internal pressure of the pyranometer allows the housing to be checked for tight seal (no leakage). The pressure/temperature ratio should remain approximately constant.

Tilt

Monitoring the inclination angle of the pyranometer installation allows for the detection of unwanted displacements that may occur in the long term or as a result of impacts suffered by the installation.

Take the measurement of the Tilt sensor immediately after installation and consider it as a reference for subsequent measurements.

Alarm thresholds

Thresholds can be defined for internal temperature, relative humidity and pressure. When the thresholds are exceeded an alarm condition is generated, which can be read via the Modbus "Discrete inputs" or the DATAsense software.

The thresholds can be set via the Modbus "Holding registers", the WAL3/WAL4/WAL5 serial commands or the DATAsense software.

10 Maintenance

In order to grant measurements high accuracy, it is important to keep the outer glass dome clean. Consequently, the more the dome will be kept clean, the more measurements will be accurate.

You can wash it using water and standard papers for lens. If necessary, use pure ETHYL alcohol. After using alcohol, clean again the dome with water only.

To minimize condensation and keep measurements accurate, desiccant silica-gel is provided inside the pyranometer base to absorb moisture. The silica-gel life is at least 10 years and can be replaced by the user.

To replace the silica-gel, unscrew the 6 screws that fix the base to the main body of the pyranometer; remove the silica-gel sachet and insert a new sachet, then screw the pyranometer base back on.

Warning!

The silica-gel replacement must be done in an ESD-safe environment.

To exploit all the pyranometer features, it is highly recommended that the calibration be checked annually.

The pyranometer provides the operating time in days since first and last power on, and allows time alarm thresholds to be set to alert the user of the need for periodic verification or maintenance. The exceeding of thresholds can be read via Modbus "Discrete inputs" or DATAsense software. The thresholds can be set via Modbus "Holding registers", WAL1/WAL2 serial commands, or DATAsense software.

11 Safety instructions

The pyranometer proper operation and operating safety can be ensured only in the climatic conditions specified in this manual and if all standard safety measures as well as the specific measures described in this manual are followed.

Do not use the instruments in places where there are:

- Corrosive or flammable gases.
- Direct vibrations or shocks to the instrument.
- High-intensity electromagnetic fields, static electricity.

User obligations

The instrument operator shall follow the directives and regulations below that refer to the treatment of dangerous materials:

- EU directives on workplace safety.
- National law regulations on workplace safety.
- Accident prevention regulations.

12 Accessories ordering codes

The pyranometer is supplied with solar radiation protection screen, M12 female free connector (only if the optional cable is not ordered), calibration report and **DATAsense** PC application software downloadable from Delta OHM website.

Cables and fixing accessories must be ordered separately.

Fixing accessories

- | | |
|-------------|--|
| LPS3 | Fixing bracket for Ø 30...50 mm mast. Installation on horizontal or vertical mast. |
| LPS5 | Adjustable holder for mounting the pyranometer in an inclined position on Ø 30...50 mm mast. |

Installation cables

- | | |
|-------------------|---|
| CPM12-5... | Cable with 5-pole M12 connector on one end, open wires on the other end. Length 5 m (CPM12-5.5) or 10 m (CPM12-5.10). For LPS03M0x, LPS030C0 and LPS030P0. |
| CPM12-8... | Cable with 8-pole M12 connector on one end, open wires on the other end. Length 5 m (CPM12-8.5) or 10 m (CPM12-8.10). For LPS03MAx. |

PC connecting cables

- | | |
|----------------|--|
| CP24B-5 | PC connecting cable for the configuration of the pyranometer. With built-in RS485/USB converter. 5-pole M12 connector on sensor side and A-type USB connector on PC side. For LPS03M0x. |
| CP24B-8 | PC connecting cable for the configuration of the pyranometer. With built-in RS485/USB converter. 8-pole M12 connector on sensor side and A-type USB connector on PC side. For LPS03MAx. |

Spare parts

- | | |
|---------------|---|
| LPSP2A | UV-resistant solar radiation protection screen. |
| LPG | Silica-gel (5 sachets). |

NOTES

NOTES

WARRANTY

The manufacturer is required to respond to the "factory warranty" only in those cases provided by Legislative Decree 6 September 2005 - n. 206. Each instrument is sold after rigorous inspections; if any manufacturing defect is found, it is necessary to contact the distributor where the instrument was purchased from. During the warranty period (24 months from the date of invoice) any manufacturing defects found will be repaired free of charge. Misuse, wear, neglect, lack or inefficient maintenance as well as theft and damage during transport are excluded. Warranty does not apply if changes, tampering or unauthorized repairs are made on the product. Solutions, probes, electrodes and microphones are not guaranteed as the improper use, even for a few minutes, may cause irreparable damages.

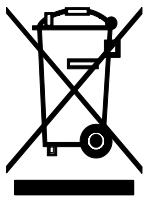
The manufacturer repairs the products that show defects of construction in accordance with the terms and conditions of warranty included in the manual of the product. For any dispute, the competent court is the Court of Padua. The Italian law and the "Convention on Contracts for the International Sales of Goods" apply.

TECHNICAL INFORMATION

The quality level of our instruments is the result of the continuous product development. This may lead to differences between the information reported in the manual and the instrument you have purchased.

We reserve the right to change technical specifications and dimensions to fit the product requirements without prior notice.

DISPOSAL INFORMATION



Electrical and electronic equipment marked with specific symbol in compliance with 2012/19/EU Directive must be disposed of separately from household waste. European users can hand them over to the dealer or to the manufacturer when purchasing a new electrical and electronic equipment, or to a WEEE collection point designated by local authorities. Illegal disposal is punished by law.

Disposing of electrical and electronic equipment separately from normal waste helps to preserve natural resources and allows materials to be recycled in an environmentally friendly way without risks to human health.



senseca.com



Senseca Italy S.r.l.
Via Marconi, 5
35030 Selvazzano Dentro (PD)
ITALY
info@senseca.com

